

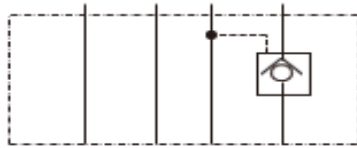


HYDROWEST

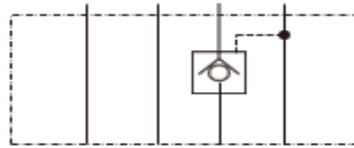
Check Valves

MPCV

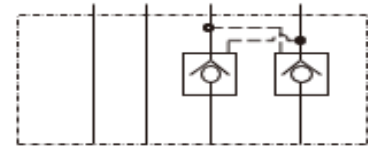
SYMBOL MPCV - ※



P T B A
MPCV-02.03.04A

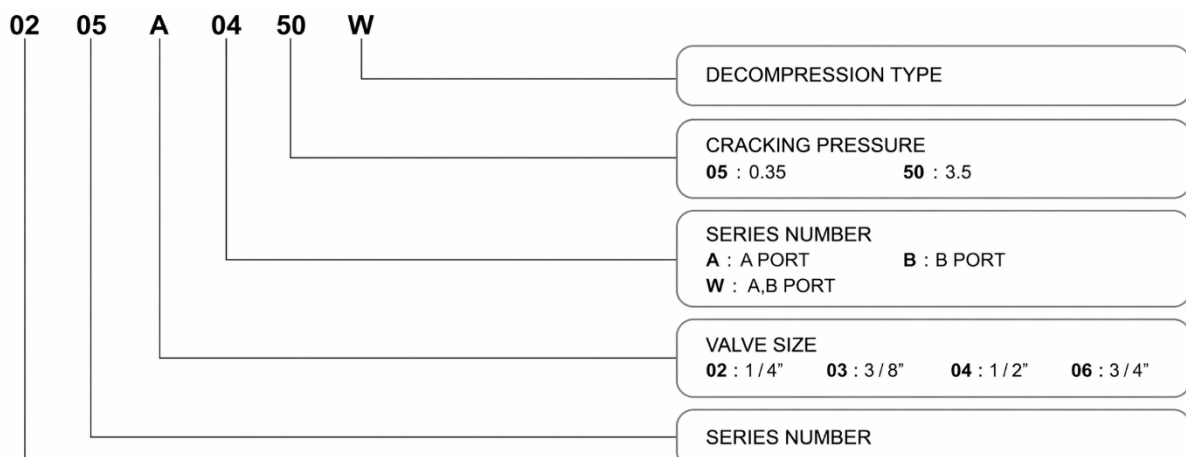


P T B A
MPCV-02.03.04B

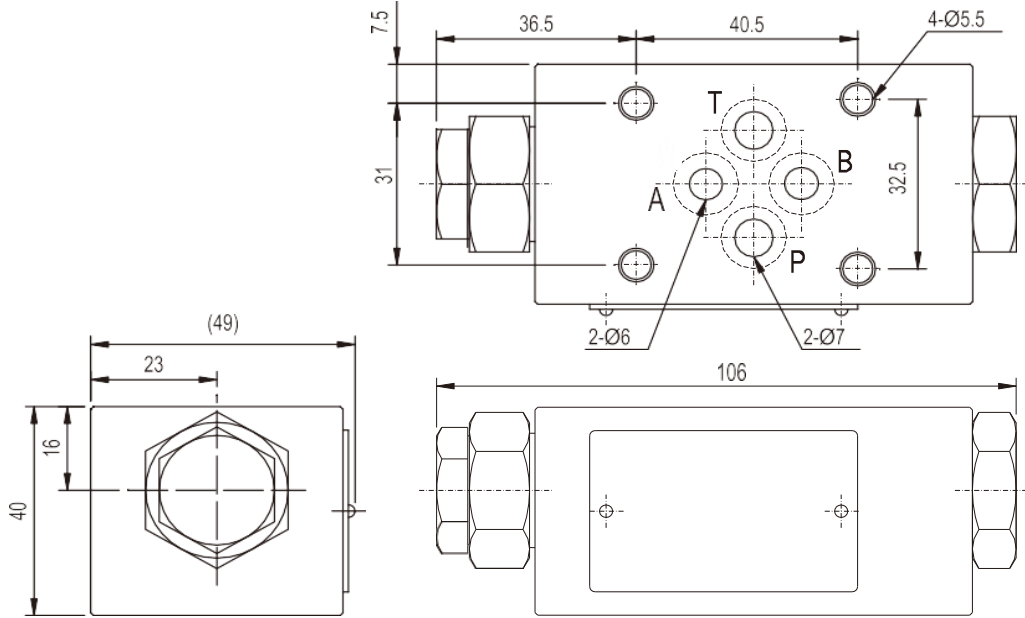


P T B A
MPCV-02.03.04 W

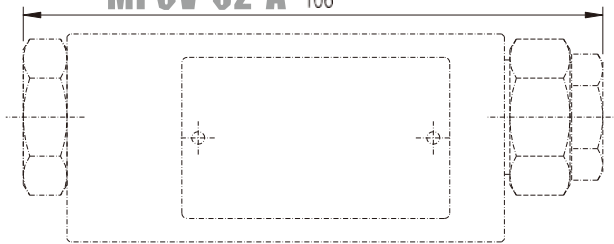
MODE	MAX. OPERATING PRESSURE kgf/cm ²	MAX. FLOW l/min	WEIGHT kg	
MPCV-02-A/B	250	35	1.1	
MPCV-02-W			1.2	
MPCV-03-A/B		70	2.6	
MPCV-03-W			2.7	
MPCV-04-A/B		190	7.3	
MPCV-04-W				
MPCV-06-A/B		300	12.8	
MPCV-06-W				



PCV-02-A/B

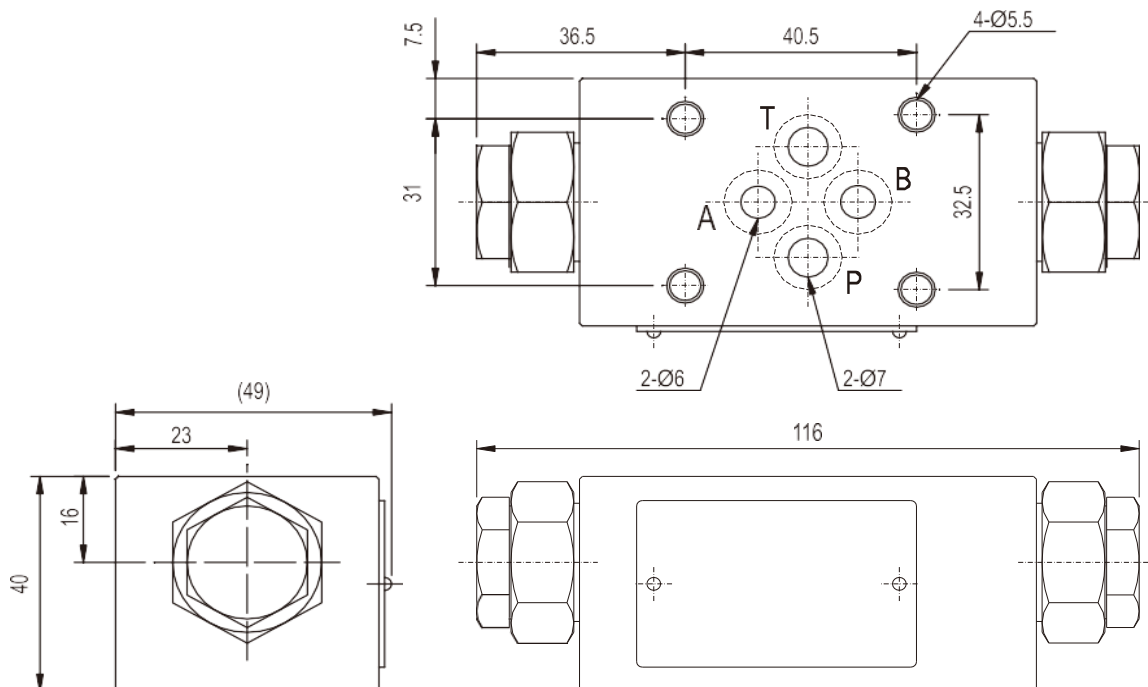


MPCV-02-A

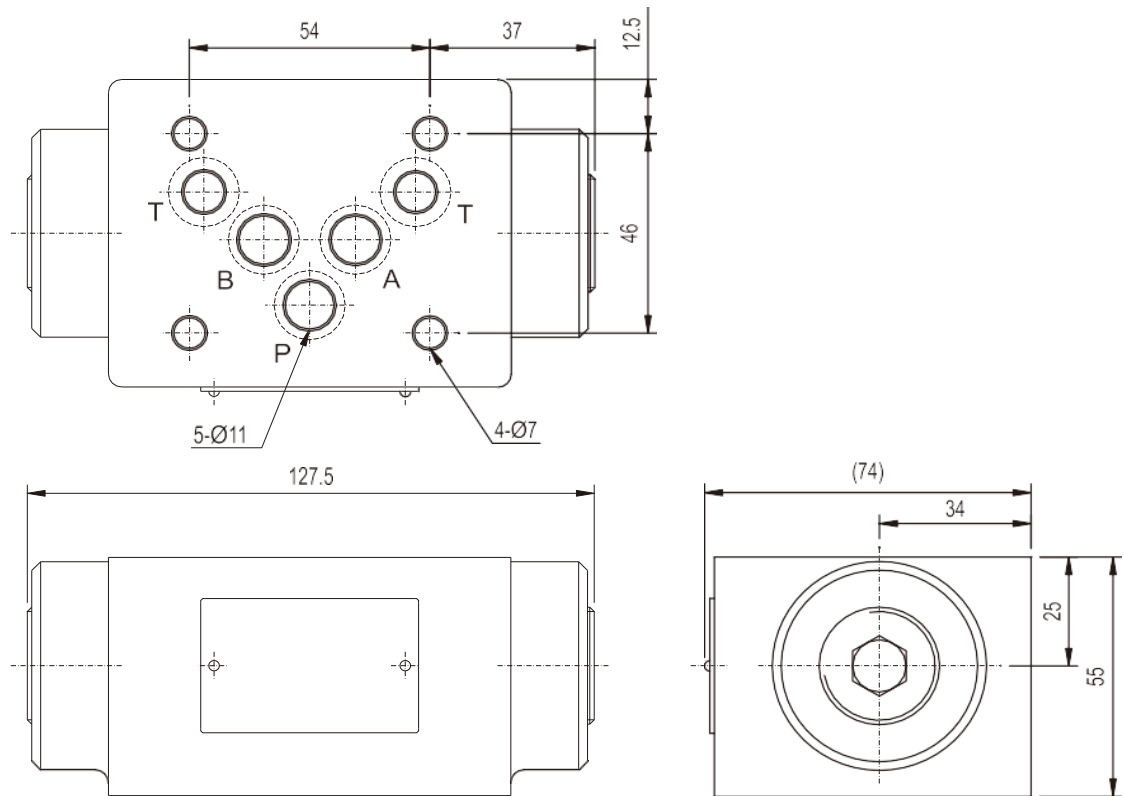


MPCV-02-B

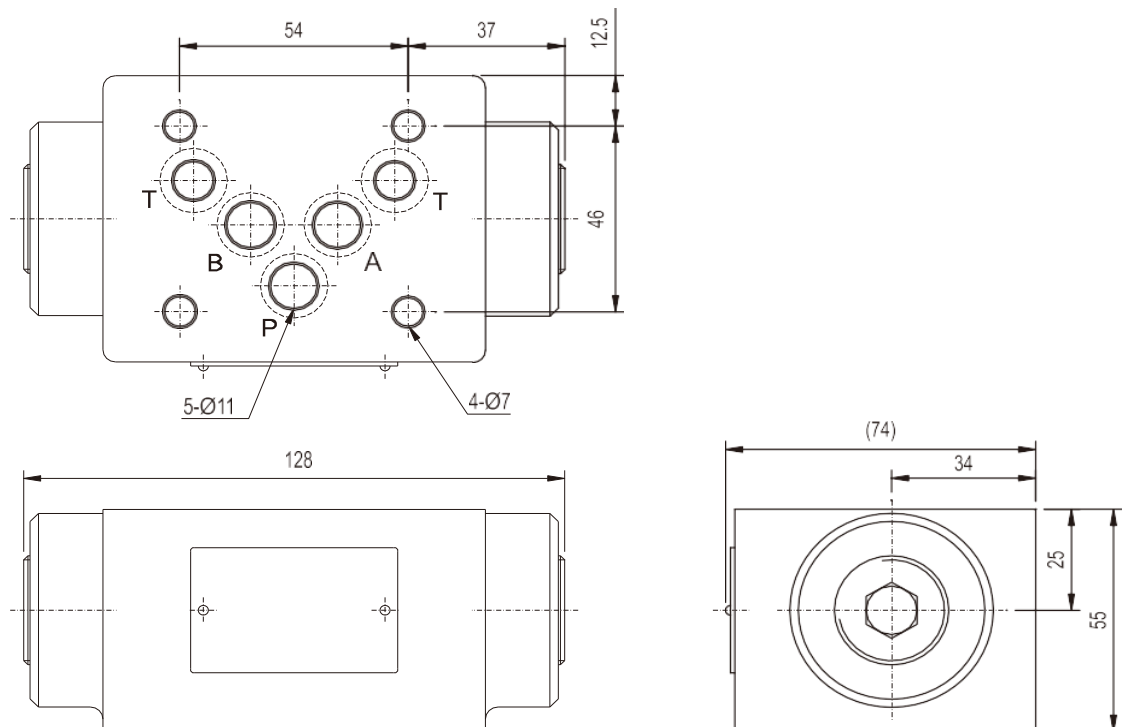
MPCV-02-W



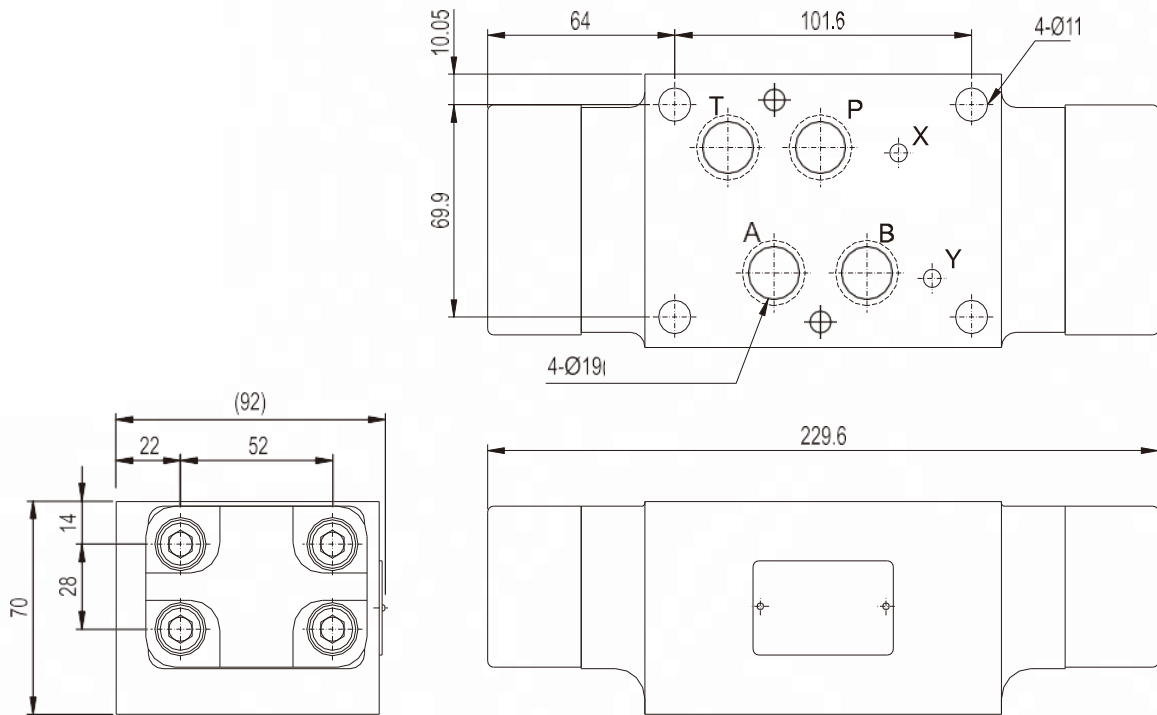
MPCV-03-A/B



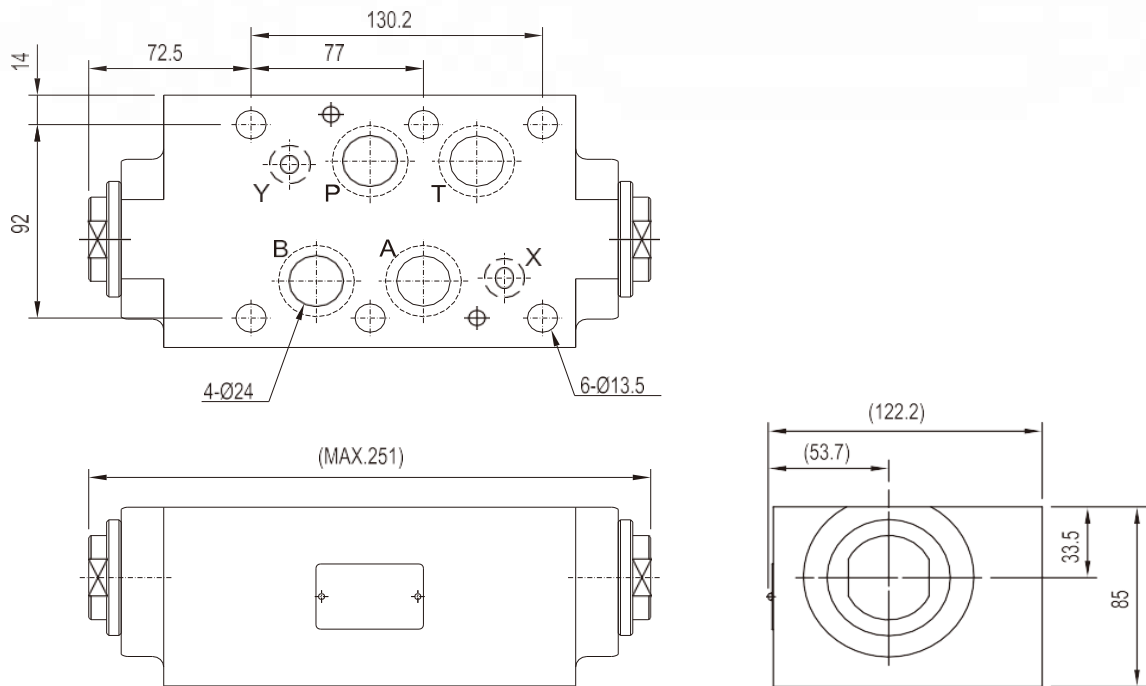
MPCV-03-W



MPCV-04-W



MPCV-06-W



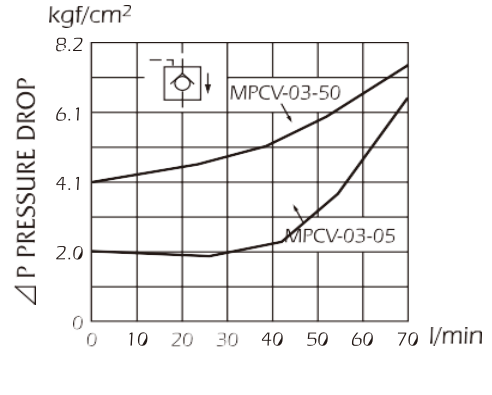
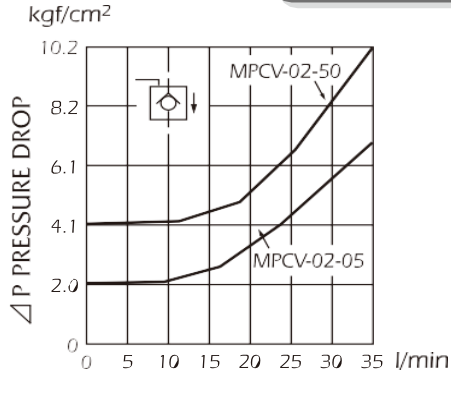
TEST FLUID VISCOSITY : 35 cSt

TEST TEMPERATURE : 50°C

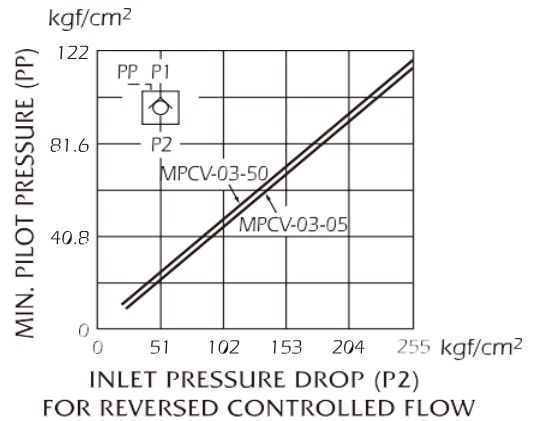
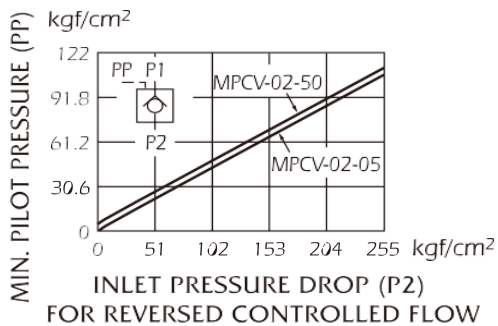
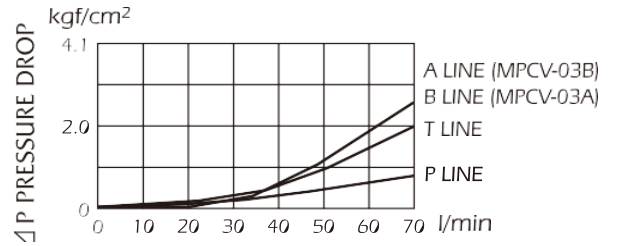
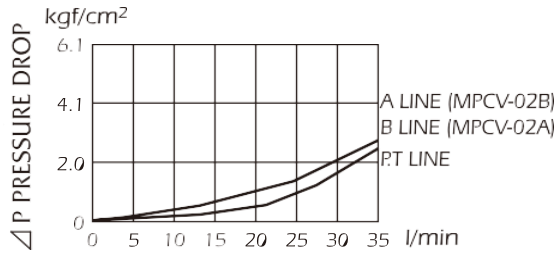
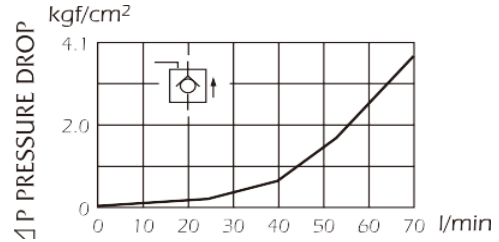
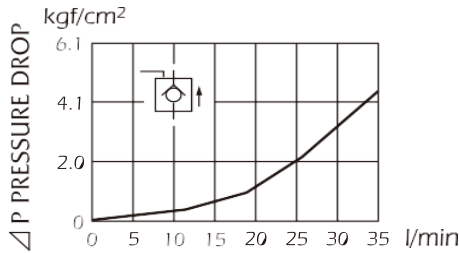
● MPCV-02

● MPCV-03

PRESSURE DROP FREE FLOW



PRESSURE DROP FOR REVERSE CONTROLLED FLOW



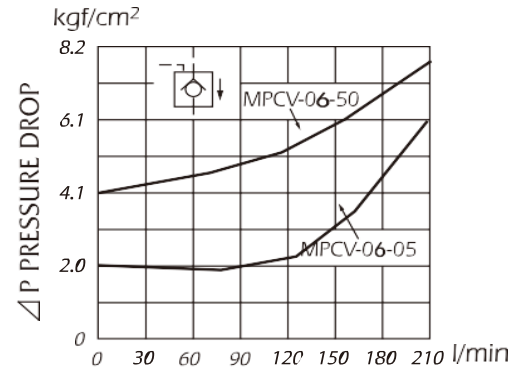
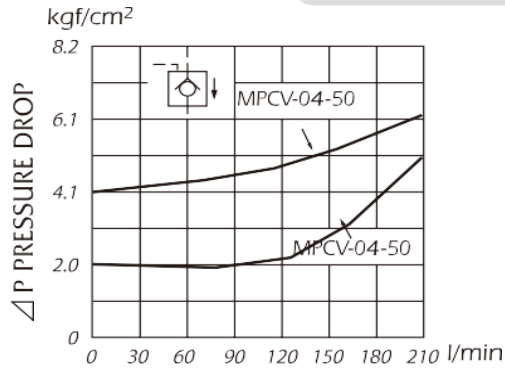
TEST FLUID VISCOSITY : 35 cSt

TEST TEMPERATURE : 50°C

● MPCV-04

● MPCV-06

PRESSURE DROP FREE FLOW



PRESSURE DROP FOR REVERSE CONTROLLED FLOW

