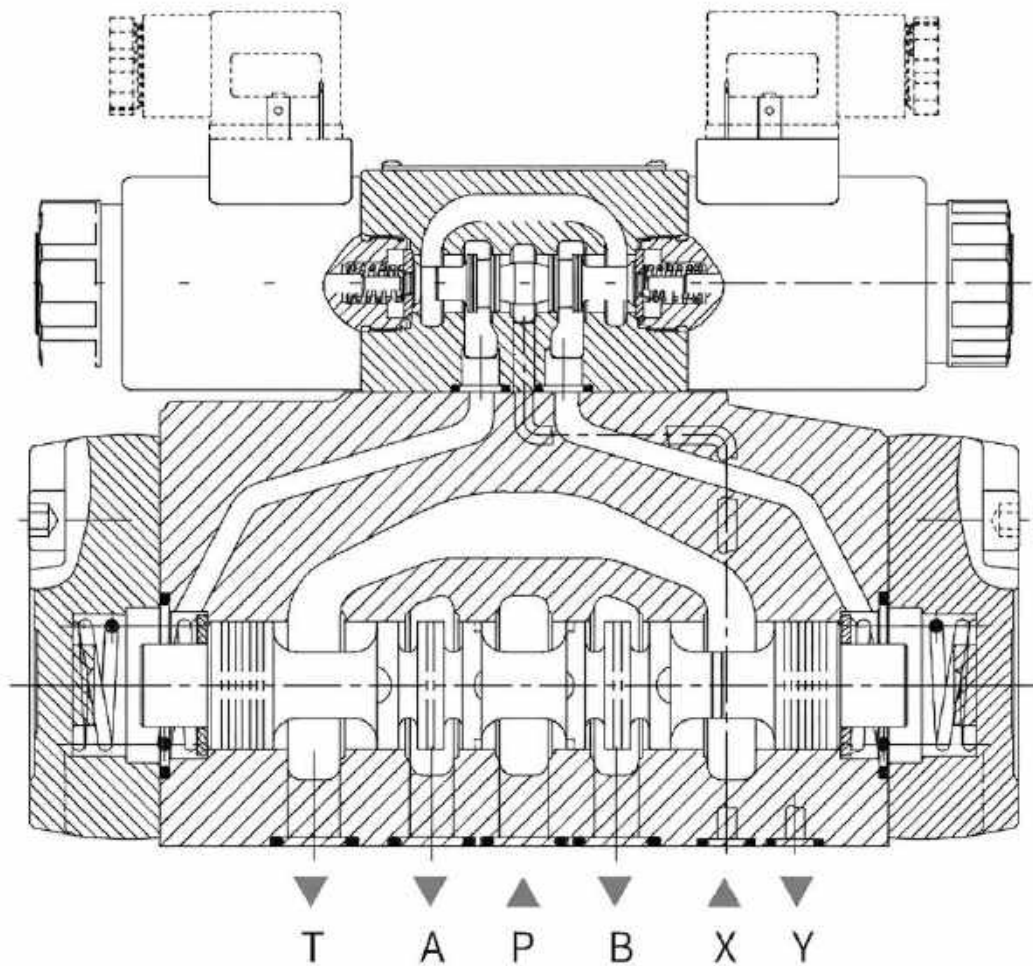




HYDROWEST

Direction valve

WEH25

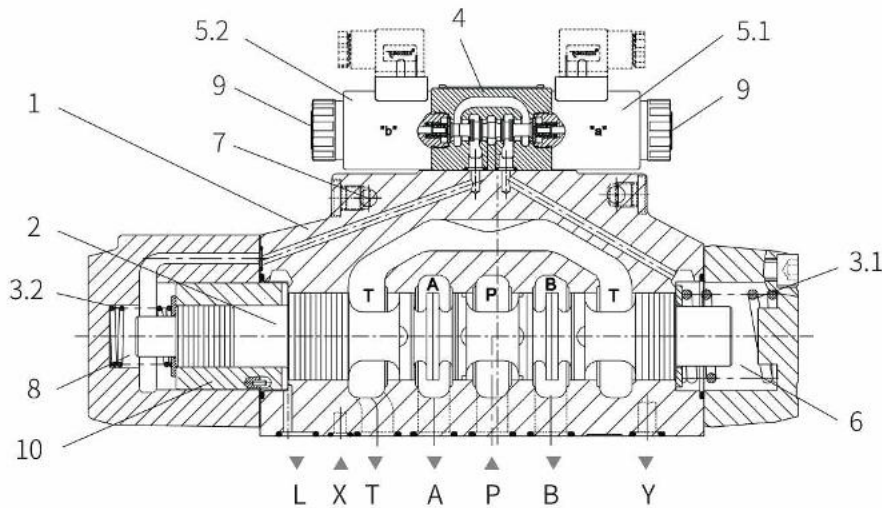


Function and configuration

Type 4WEH...H main valves are 4/3-way directional valve with pressure centering of the control spool:

The main spool(2) in the main valve is held in the neutral position by pressurization of the two front faces. A centering sleeve(10) is supported in the housing and holds the spool(2) in position.

By removing the pressure from one of the spool ends, the main spool(2) is moved to the shifted position. The unloaded spool area displaces the returning pilot oil via the pilot valve(4) into the tank(external).



Structure chart of electro-hydraulic directional valves of hydraulic pressure centering

- 1 Main valve body
- 2 Main valve spool
- 3.1 Spring
- 3.2 Spring
- 4 Pilot solenoid valve
- 5.1 Solenoid
- 5.2 Solenoid
- 6 Spring chamber
- 7 Control oil inlet passage
- 8 Spring chamber
- 9 Manual button
- 10 Centering sleeve

Pilot oil supply

● Type WEH10

◆ Conversion between internal supply and external supply:

P channel on the top of main valve body with M6 bolt(3) is external supply and with M6 bolt(3) dismantled is internal supply.

◆ Conversion between internal drain and external drain:

Dismounting plug screws(1) and installing M6 bolt(2) is external drain, discounting M6 bolt(2) is internal drain.

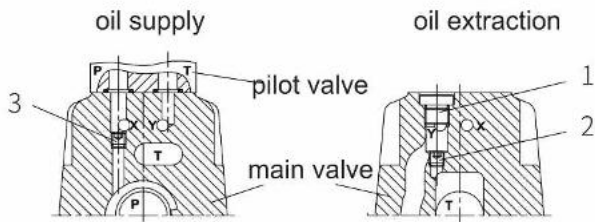
● Type WEH16

◆ Conversion between internal supply and external supply:

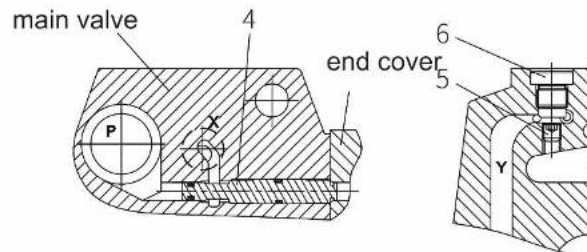
The small end of pin(4) on the top of main valve is installed toward to end cover without plug(5).

◆ Conversion between internal drain and external drain:

The big end of pin(4) on the top of main valve is installed toward to end cover with plug(5).



Structure chart of type WEH10 supply and discharge



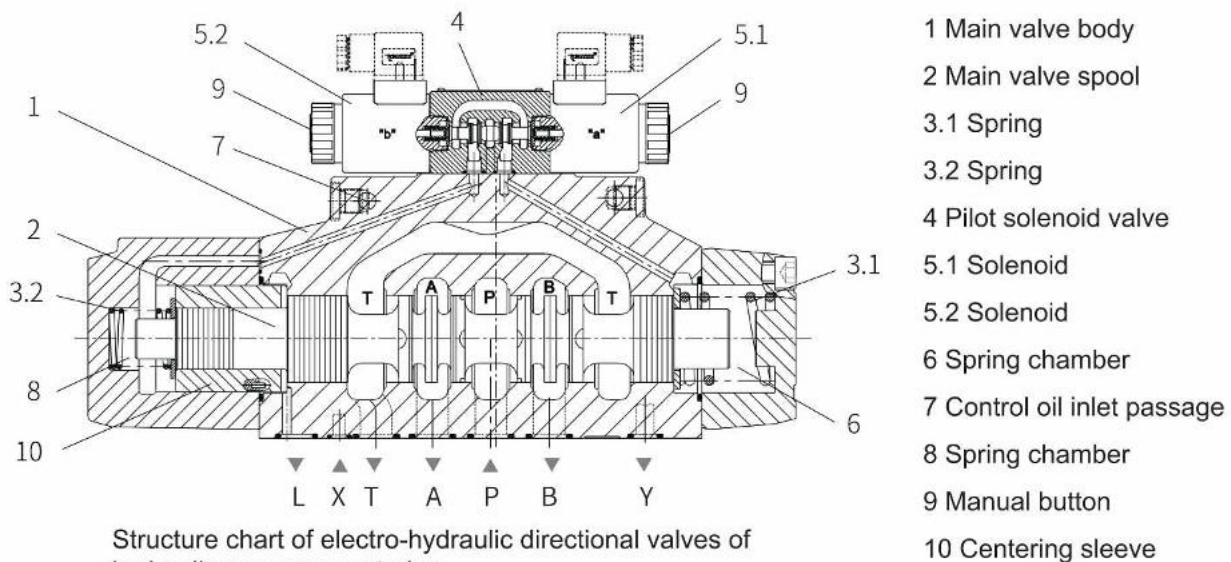
Structure chart of type WEH16 supply and discharge

Function and configuration

Type 4WEH...H main valves are 4/3-way directional valve with pressure centering of the control spool:

The main spool(2) in the main valve is held in the neutral position by pressurization of the two front faces. A centering sleeve(10) is supported in the housing and holds the spool(2) in position.

By removing the pressure from one of the spool ends, the main spool(2) is moved to the shifted position. The unloaded spool area displaces the returning pilot oil via the pilot valve(4) into the tank(external).



Pilot oil supply

● Type WEH10

◆ Conversion between internal supply and external supply:

P channel on the top of main valve body with M6 bolt(3) is external supply and with M6 bolt(3) dismounted is internal supply.

◆ Conversion between internal drain and external drain:

Dismounting plug screws(1) and installing M6 bolt(2) is external drain, discounting M6 bolt(2) is internal drain.

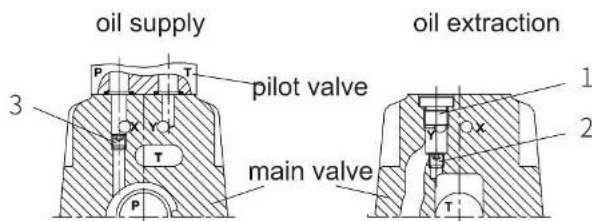
● Type WEH16

◆ Conversion between internal supply and external supply:

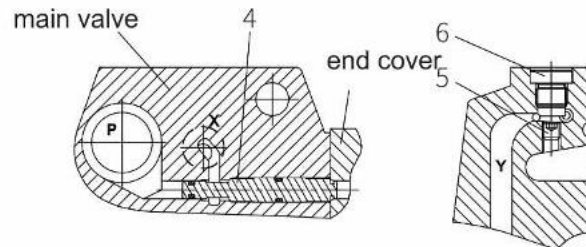
The small end of pin(4) on the top of main valve is installed toward to end cover without plug(5).

◆ Conversion between internal drain and external drain:

The big end of pin(4) on the top of main valve is installed toward to end cover with plug(5).



Structure chart of type WEH10 supply and discharge



Structure chart of type WEH16 supply and discharge

Ordering code



working pressure

350bar

4 ways =4

electro-hydraulic =WEH
hydraulic =WH

size10 =10
size16 =16
size22 =22
size25 =25
size32 =32

spool return
by means of spring =no code
hydraulic =H

for symbols, see next page

series 40 to 49 =size10
series 50 to 59 =size16/25/32
series 70 to 79 =size 22

Jiangsu jiyite hydraulic =J

when pilot valve use 2-position valve of 2 solenoids, main valve is hydraulic reset:
without spring return =O
without spring return with detent =OF

pilot valve with wet-pin solenoids
standard valve =A
high-performance valve =E

DC 24V =G24
AC 220V, 50Hz =W220-50
other voltage see the directional valve WE6

1) Pilot oil supply internal
*Minimum control pressure

*In order to prevent inadmissibly high pressure peaks, a "B10" throttle insert has to be provided in port P of the pilot valve.

2) Only in connection with the "B10" throttle insert

further details in clear text

No code =NBR seal
V =FKM seal

No code =without pressure reducing valve
D3 =with pressure reducing valve

No code =without pre-load valve
P45 =with pre-load valve

No code =without throttle insert
B08 =throttle Φ 0.8mm
B10 =throttle Φ 1.0mm
B12 =throttle Φ 1.2mm
B15 =throttle Φ 1.5mm

Additional equipment NO.(see additional equipment)

Type of electrical connection(see type of electrical connection dimensions)
Z5L =square plug with lamp

No code =without shifting time adjustment
S =shifting time adjustment as meter-in control
S2 =shifting time adjustment as meter-out control

control oil supply and drain type:

no code =external supply and external drain
E =internal supply and external drain
ET =internal supply and external drain
T =external supply and internal drain

Type 4WH only available as no code

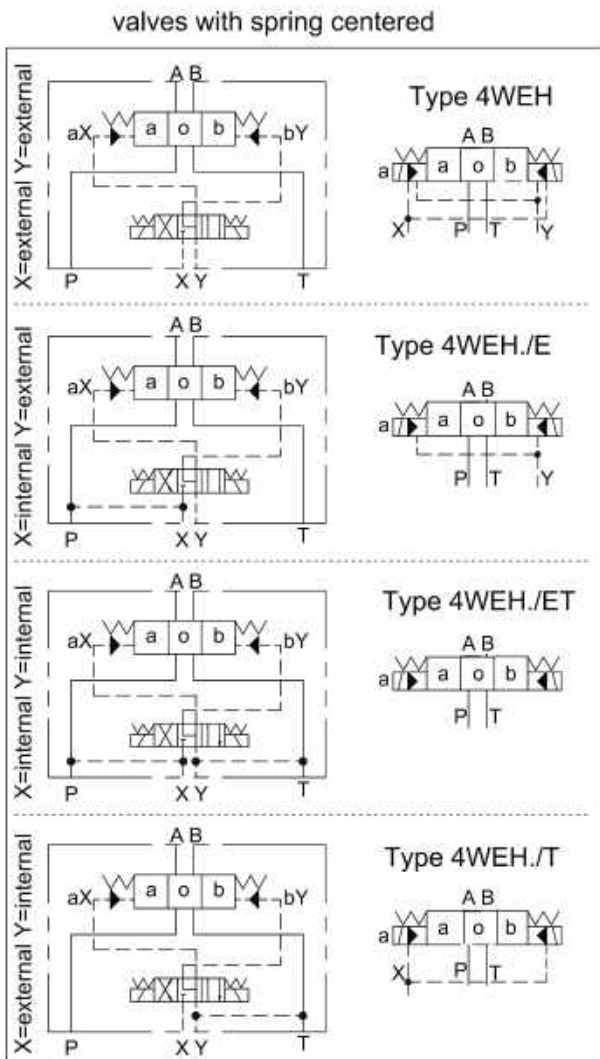
Versions ET and T as 3 position valve with pressure centering only possible if $P_{\text{hydraulic pressure}} \geq 2 \times P_{\text{return}}$

oil=lowest control pressure

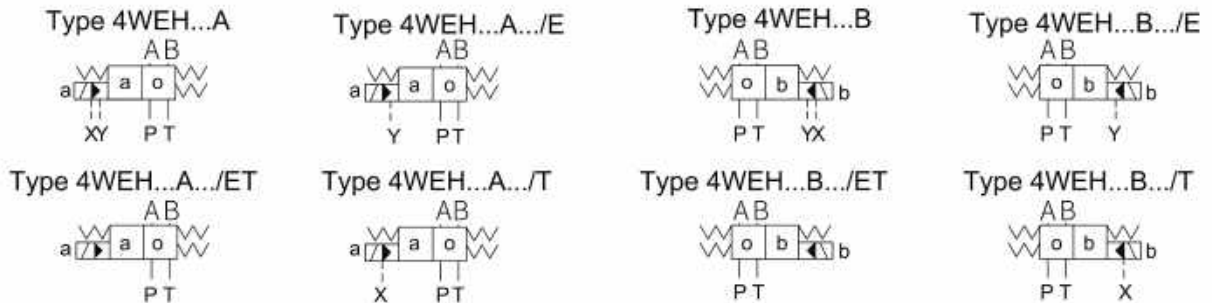
no code = without manual override
N = with manual override
N9 =with concealed manual override

Symbols

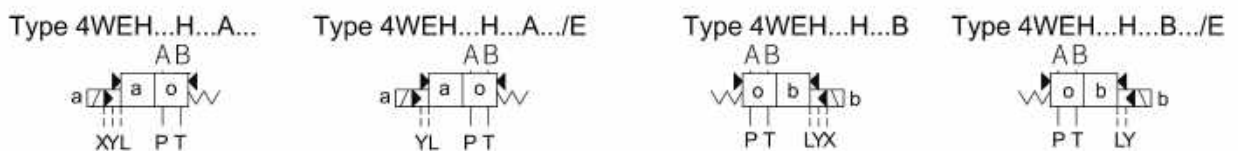
Detailed and simplified symbols for 3-position valves



Valves with spring offset (at position A or B of 2-position valve derived from 3-position)



Valves with hydraulic offset (at position A or B of 2-position valve derived from 3-position)



Symbols

Spool of 3-position valve

3-position valve

3-position valve type	symbol	crossover symbol
4WEH...E.../... E		
4WEH...F.../... F		
4WEH...G.../... G		
4WEH...H.../... H		
4WEH...J.../... J		
4WEH...L.../... L		
4WEH...M.../... M		
4WEH...P.../... P		
4WEH...Q.../... Q		
4WEH...R.../... R		
4WEH...S.../... S		
4WEH...T.../... T		
4WEH...U.../... U		
4WEH...V.../... V		
4WEH...W.../... W		

2-position derivative from 3-position valve

2-position valve type	symbol (solenoid at A end)	2-position valve type (solenoid at B end)	symbol (solenoid at B end)
4WEH...EA.../...		4WEH...EB.../...	
4WEH...FA.../...		4WEH...FB.../...	
4WEH...GA.../...		4WEH...GB.../...	
4WEH...HA.../...		4WEH...HB.../...	
4WEH...JA.../...		4WEH...JB.../...	
4WEH...LA.../...		4WEH...LB.../...	
4WEH...MA.../...		4WEH...MB.../...	
4WEH...PA.../...		4WEH...PB.../...	
4WEH...QA.../...		4WEH...QB.../...	
4WEH...RA.../...		4WEH...RB.../...	
4WEH...SA.../...		4WEH...SB.../...	
4WEH...TA.../...		4WEH...TB.../...	
4WEH...UA.../...		4WEH...UB.../...	
4WEH...VA.../...		4WEH...VB.../...	
4WEH...WA.../...		4WEH...WB.../...	

Technical data

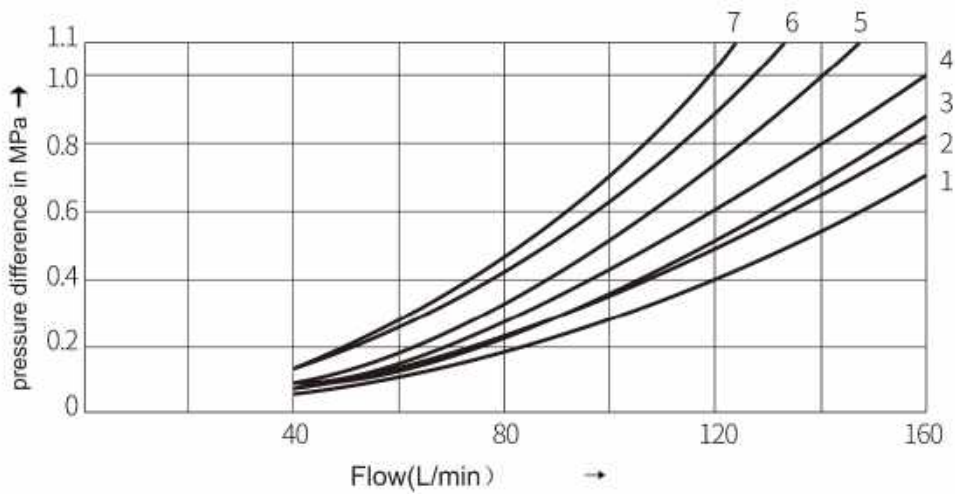
size		10	16	22	25	32
max. working pressure	type 4WEH (MPa)	28	28	28	28	28
-port P, A, B	type H-4WEH (MPa)	35	35	35	35	35
-port T	pilot oil drain external (MPa)	31.5 ³⁾	25	25	25	25
	pilot oil drain internal (MPa)			21 DC		
				16 AC		
-port Y pilot oil drain external	-DC solenoid (MPa)			166) /217)	DC	
	-AC solenoid (MPa)			108) /167)	AC	
	-type 4WH (MPa)		25 (type10, 16, 25, 32)	21 (type22)		
max.control pressure for higher pilot pressure, a reducing valve is required	(MPa)		25 (type10, 16, 25, 32)	21 (type22)		
min.control pressure -externally piloted, internally drained (applicable with spools: C,F,G,H,P,T,V,Z) ²⁾		H-4W...				
	spring centered 3- position valve (MPa)	1.0	1.4	1.25	1.3	0.85
	hydraulic centered 3-position valve (MPa)	-	1.4	1.05	1.8	0.85
	spring offset 2-position valve (MPa)	1.0	1.4	-	1.3	1.0
	hydraulic offset 2-position valve (MPa)	0.7	1.4	1.4	0.8	0.5
-internally piloted (applicable with spools: C,F,G,H,P,T,V,Z) ²⁾		0.45 ³⁾	0.45 ⁴⁾	0.45 ⁴⁾	0.45 ⁴⁾	0.45 ⁴⁾
<p>1) In a 3-position valve, hydraulic centering is only possible if $p_{pilot} \geq x \cdot p_{tank} + p_{pilot\ min}$</p> <p>2) spool S is only for size 16</p> <p>3) Internally piloted valves with spool types C, F, G, H, P, T, V, Z will only shift if the flow from P to T in the center position (3-position valves) or during spool crossover (2-position valves) is large enough that the pressure drop from P to T reaches a minimum of 95 P6.5 bar), which is required to shift the pilot valve.</p>		<p>4) For spools C, F, G, H, P, T, V, Z, S 2) (with pilot pressure insert or considerably high flows)</p>				
hydraulic fluid		petroleum oils, phosphate ester oil				
fluid temperature range	(°C)	NBR seals:-30 to +80 FRM seal:-20 to +80				
viscosity range	(mm ² /s)	2.8 to 500				
max.degree of fluid contamination: Class 9 according to NAS1638. Therefore, we recommend a filter with a minimum retention rate of $\beta_{10} \geq 75$.						
pilot fluid volume for valve operation						
-3-position valve, spring centered	(cm ³)	2.04	5.72	7.64	14.2	29.4
-2 position valve	³⁾	4.08	11.45	15.28	28.4	58.8
-3-position valve, hydraulic centered	³⁾	-	WH WEH	- -	WH WEH	WH WEH
-from "0" position to working position "a"	³⁾	-	2.83 2.83	- -	7.15 7.15	14.4 14.4
-from working position "a" to "0" position	³⁾	-	5.72 5.72	- -	14.18 7.0	29.4 15.1
-from "0" position to working position "b"	(cm ³)	-	5.72 5.72	- -	14.18 14.15	29.4 29.4
-from working position "b" to "0" position	³⁾	-	8.55 8.55	- -	19.88 5.73	43.8 14.4
pilot fluid flow qv (approx.) for shortest shifting time	(L/min)	35	35	35	35	45
weight(approx.) valve with one solenoid	(kg)	6.4	8.5	11.5	17.6	40.5
valve with two solenoids, spring centered	(kg)	6.8	8.9	11.9	18.0	41.0
valve with two solenoids, hydraulic centered	(kg)	6.8	8.9	11.9	19.0	41.0
hydraulic operated (4WH...)	(kg)		7.3	10.5	16.5	39.5
pilot choke adjustment	(kg)	approx.0.8				
pressure ratio valve	(kg)	approx.0.4				
installation position		optional, valve with spool C, D, K, Z, Y horizontal.				

Technical data

shifting time																
Contacting at the pilot valve up to start of opening of the control land in the main valve																
size 10	valve switching time from center to switched position (AC and DC solenoid)															
	with a pilot pressure of	(MPa)	~7=		~14=		~21=		~25=							
	-3-position valve	(ms)	30	65	25	60	20	55	15	50						
	-2-position valve	(ms)	35	80	30	75	25	70	20	65						
	valve switching time from switched position to center															
	-3-position valve	(ms)	30													
	-2-position valve	(ms)	35	40	30	75	25	30	20	25						
size 16	valve switching time from center to switched position (AC and DC solenoid)															
	with a pilot pressure of	(MPa)	~7=		~15=		~25=									
	-3-position valve, spring centered	(ms)	25...30	40	25...30	40	25...30		40							
	-2-position valve	(ms)	30...35	55	30...35	55	30...35		55							
	-3-position valve, hydraulic centered	solenoid operated	(ms)	a	b	a	b	a	b	a	b					
				30	30	40	40	30	30	40	40	30	30	35	40	
	valve switching time from switched position to center															
	-3-position valve	(ms)	20 to 35 for ~; 30 for =													
	-2-position valve	(ms)	30...50	45	30...50	45	30...50		45							
-3-position valve, hydraulic centered	(ms)	a	b	a	b	a	b	a	b	a	b					
		20...35	20	20...55	20	20...35		20								
size 25	valve switching time from center to switched position (AC and DC solenoid)															
	with a pilot pressure of	(MPa)	~7=		~14=		~21=		~25=							
	-3-position valve, spring centered	(ms)	50	85	40	75	35	70	30	65						
	-2-position valve	(ms)	120	160	100	130	85	120	70	105						
	-3-position valve, hydraulic centered	solenoid operated	(ms)	a	b	a	b	a	b	a	b	a	b			
				20	35	55	65	30	35	55	65	25	30	50	60	25
	valve switching time from switched position to center															
	-3-position valve	(ms)	40 to 55 for ~; 40 for =													
	-2-position valve	(ms)	120	125	85	100	85	90	75	80						
	-3-position valve, hydraulic centered	solenoid operated	(ms)	a	b	a	b	a	b	a	b	a	b			
30...50				30	35	30...50	30	35	30...50	30	35	30...50	30	35		
size 32	valve switching time from center to switched position (AC and DC solenoid)															
	with a pilot pressure of	(MPa)	~5=		~15=		~25=									
	-3-position valve, spring centered	(ms)	65	80	50	90	35		105							
	-2-position valve	(ms)	100	130	75	100	60		115							
	-3-position valve, hydraulic centered	solenoid operated	(ms)	a	b	a	b	a	b	a	b	a	b			
				55	35	100	105	40	45	85	95	35	40	85	95	
	valve switching time from switched position to center															
	-3-position valve	(ms)	60 to 75 for ~; 50 for =													
-2-position valve	(ms)	115...130	90	85...100	70	65...80		65								
-3-position valve, hydraulic centered	solenoid operated	(ms)	a	b	a	b	a	b	a	b	a	b				
			30...65	30	40	60...90	30	40	105...155	50	50					

Characteristic curves

Type 4WEH10... (measured at $\vartheta_{oil} = 41\text{mm}^2/\text{s}$ and $t=50^\circ\text{C}$)



symbol	switching position				symbol	switching position		
	P-A	P-B	A-T	B-T		A-T	B-T	P-T
E, D, Y	2	2	4	5	F	3	-	6
F	1	4	1	4	G, T	-	-	7
G, T	4	2	2	6	H	1	3	5
H, C	4	4	1	4	L	3	-	-
J, K	1	2	1	3	P	-	7	5
L	2	3	1	4	U	-	4	-
M	4	4	3	4				
Q, V, W, Z	2	2	3	5				
R	2	2	3	-				
U	3	3	3	4				
P	4	1	3	4				

Performance limit

Type 4WEH10... (measured at $\vartheta_{oil} = 41\text{mm}^2/\text{s}$ and $t=50^\circ\text{C}$)

symbol	Flow for 2-spool position and 3-spool position valves(L/pressure stage (MPa))		
	20	25	31.5
E, J, L, M, Q, R, U, V, W C, D, K, Z, Y	160		
H	160	150	120
G, T	160	160	140
F, P	160	140	120

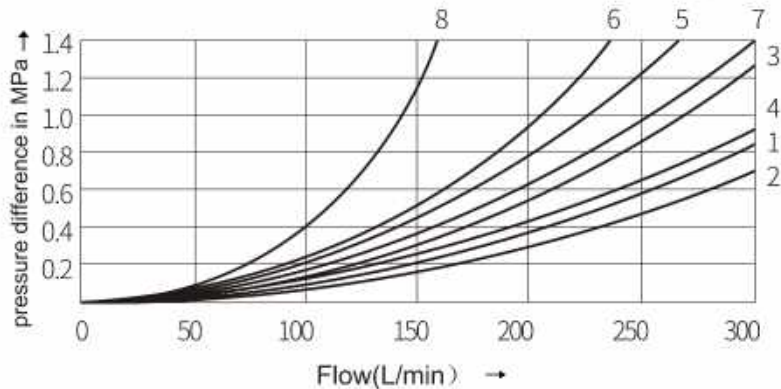
Note:

The shifting performance limits down are valid for applications with two directions of flow (e.g. from P to A and simultaneous return flow from B to T). As a result of the flow forces occurring within the valve with only one direction of flow (e.g. from P to A with port B blocked) the permissible performance limits may be considerably lower!

The performance limits were determined with the solenoid at operating temperature, 10% under voltage and with no tank pre-loading.

Characteristic

Type 4WEH16... (measured at $\vartheta_{oil} = 41\text{mm}^2/\text{s}$ and $t=50^\circ\text{C}$)



symbol	switching position				
	P-A	P-B	A-T	B-T	P-T
E, D, Y	1	1	1	3	-
F, P	2	2	3	3	-
G, T	5	1	3	7	6
H, C, Q, V, Z	2	2	3	3	-
J, K, L	1	1	3	3	-
M, W	2	2	4	3	-
R	2	2	4	-	-
U	1	1	4	7	-
S	4	4	4	-	8

Performance limit

Type 4WEH16... (measured at $\vartheta_{oil} = 41\text{mm}^2/\text{s}$ and $t=50^\circ\text{C}$)

Flow for 2-spool position valves(L/min)					
symbol	pressure stage (MPa)				
	7	14	21	28	25
spring offset 1)					
C, D, K, Z, Y	300	300	300	300	300
spring offset 2)					
C	300	300	300	300	300
D, Y	300	270	260	250	230
K	300	250	240	230	210
Z	300	260	190	180	160
HC, HD, HK	300	300	300	300	300
HZ, HY	300	300	300	300	300

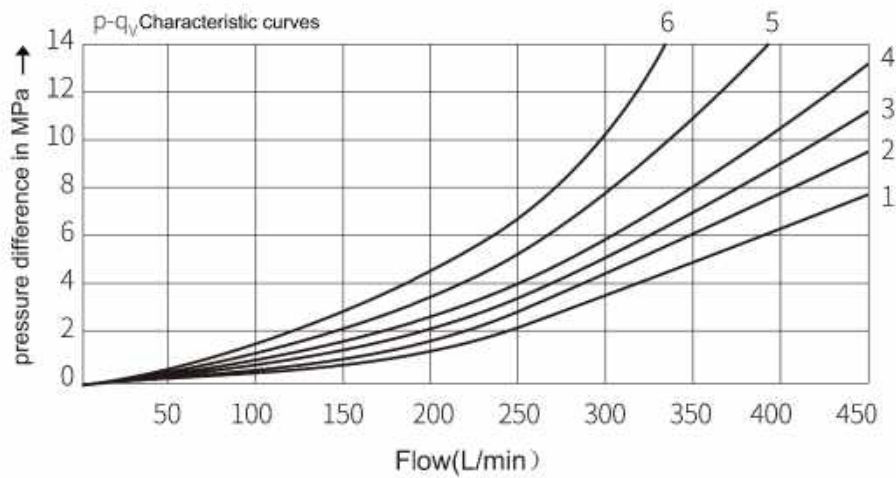
Flow for 3-spool position valves(L/min)						with pre-load valve, X=internal
symbol	pressure stage (MPa)					
	7	14	21	28	25	spool F,G,H,P,S
spring offset 1)						
E, H, J, L, MQ, U, W, R	300	300	300	300	300	spool F,G,H,P,S
F, P	300	250	180	170	150	
G, T	300	300	240	210	190	
S	300	300	300	250	220	
V	300	250	210	200	180	flow of spool up to 160l/min
hydraulic centering (min.control pressure 16bar)						
symbol	300	300	300	300	300	

Note:

In the condition that working pressure of 3-position four-way directional valve of hydraulic centering exceeds specified performance limit, control pressure must be increased. When working pressure $P=350\text{bar}$, flow $Q=300\text{L/min}$, control pressure is needed to be 1.6MPa.

Characteristic

Type 4WEH22... (measured at $\vartheta_{oil} = 41\text{mm}^2/\text{s}$ and $t=50^\circ\text{C}$)



symbol	switching position			
	P-A	P-B	A-T	B-T
E、M、P、 Q、U、V	2	2	1	4
F	1	2	1	2
G、T	2	2	2	4
H、J、W	2	2	1	3
L	2	2	1	2
R	1	2	1	-

symbol	switching position		
	A-T	B-T	P-T
F	-	-	4
G、P	-	-	6
H	-	-	2
L	4	-	-
T	-	-	5
U	-	6	-

Performance limit

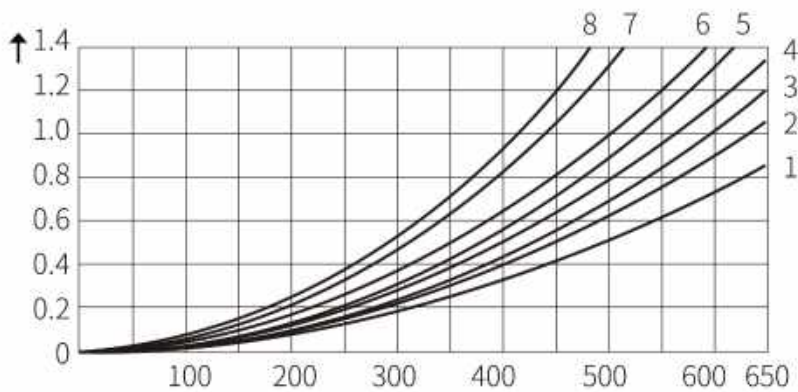
Type 4WEH22... (measured at $\vartheta_{oil} = 41\text{mm}^2/\text{s}$ and $t=50^\circ\text{C}$)

Flow for 2-spool and 3-spool position valves(L/min)					
symbol	pressure stage (bar)				
	70	140	210	280	350
X external-spring return in the main valve (with $P_{pilot\ min}=11\text{bar}/14\text{bar}$)					
C、D、K、Y、Z	450	450	450	450	450
X external-spring return in the main valve 1)					
C	450	450	320	250	200
D、Y	450	450	450	400	320
K	450	215	150	120	100
Z	350	300	290	260	160
X external-hydraulic centered					
HC、HD、HK、 HZ、HY	450	450	450	450	450
HC../O..	450	450	450	450	450
HD../O..	450	450	450	450	450
HK../O..	450	450	450	450	450
HZ../O..	450	450	450	450	450
HC../OF..	450	450	450	450	450
HD../OF..	450	450	450	450	450
HK../OF..	450	450	450	450	450
HZ../OF..	450	450	450	450	450

Flow for 3-spool position valves(L/min)					
	pressure stage (bar)				
	70	140	210	280	350
X external-spring centered					
E、J、L、M、 Q、U、W、R	450	450	450	450	450
H	450	450	300	260	230
G	400	350	250	200	180
F	450	270	175	130	110
V	450	300	240	220	160
T	400	300	240	200	160
P	450	270	180	170	110

Characteristic curves

Type 4WEH25... (measured at $\vartheta_{oil} = 41\text{mm}^2/\text{s}$ and $t=50^\circ\text{C}$)



symbol	switching position				symbol	switching position			
	P-A	P-B	A-T	B-T		P-A	P-B	A-T	B-T
E	1	1	1	3	P	4	1	1	5
F	1	4	3	3	Q	2	2	3	5
G	3	1	2	4	Z	1	1	1	-
H	4	4	3	4	U	2	1	1	6
J	2	2	3	5	V	4	4	3	6
L	2	2	3	3	W	1	1	1	3
M	4	4	1	4	T	3	1	2	4

Performance limit

Type 4WEH25... (measured at $\vartheta_{oil} = 41\text{mm}^2/\text{s}$ and $t=50^\circ\text{C}$)

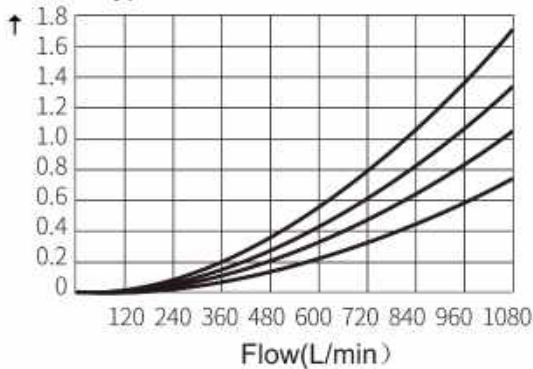
symbol	Flow for 2-spool position valves(L/min)					with pre-load valve, X=internal
	pressure stage					
spring return in the main 1)						
C, D, K, Z, Y	700	700	700	700	700	flow of spool C and Z up to 180 L/min
C	700	700	700	700	700	
spring return in the main valve 2)						
Z	700	650	400	350	300	flow of spool HC and HZ up to 180 L/min
	700	650	420	370	320	
Z	700	700	650	480	400	
HC, HD, HK	700	700	700	700	700	
HZ, HY	700	700	700	700	700	
HC.../O	700	700	700	700	700	
HD.../O	700	700	700	700	700	
HK.../O	700	700	700	700	700	
HZ.../O	700	700	700	700	700	
HC.../OF	700	700	700	700	700	
HD.../OF	700	700	700	700	700	
HK.../OF	700	700	700	700	700	
HZ.../OF	700	700	700	700	700	

symbol	pressure stage (MPa)					with pre-load valve, X=internal	
	7	14	21	28	35		
spring centered							
E, L, M Q, U, W						flow of spool F, G, H, P and T up to 180 L/min	
G/T	400	400	400	400	400		
F	650	550	430	330	300		
H	700	650	550	400	360		
J	700	700	650	600	520		
P	650	550	430	330	300		
V	650	550	400	350	310		
	700	700	700	650	680		
hydraulic centering (min.control pressure 18bar)							
	700	700	700	700	650		
	700	700	700	700	650		
	700	700	700	700	650		
	400	400	400	400	400		
hydraulic centering (min.control pressure 3bar)							
	700	700	700	700	700		

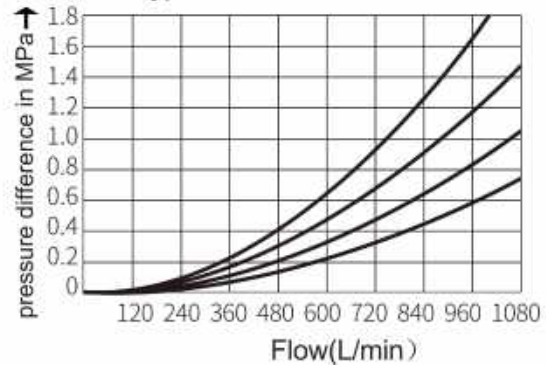
Characteristic curves

Type 4WEH32... (measured at $\vartheta_{oil} = 41\text{mm}^2/\text{s}$ and $t=50^\circ\text{C}$)

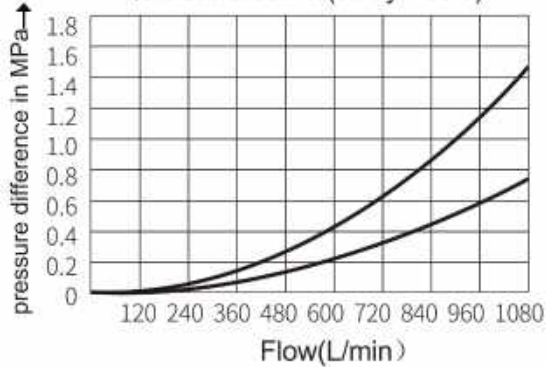
Type R/R/W P-Q Characteristic curves



Type G/T P-Q Characteristic curves



P-Q Characteristic curves (all symbols)



Performance limit

Type 4WEH32... (measured at $\vartheta_{oil} = 41\text{mm}^2/\text{s}$ and $t=50^\circ\text{C}$)

Flow for 2-spool position valves(L/min)					
symbol	pressure stage (MPa)				
	7	14	21	28	25
spring return in the main 1)					
C, D, K, Z, Y	1100	1040	860	750	680
spring return in the main 2)					
C	1100	1040	860	800	700
D, Y	1100	1040	540	480	420
K	1100	1040	860	500	450
Z	1100	1040	860	750	650
spring return in the main 1)					
HC, HD, HK	1100	1040	860	750	680
HZ, HY	1100	1040	860	750	680

Flow for 3-spool position valves(L/min)					
symbol	pressure stage (MPa)				
	7	14	21	28	25
spring return in the main 1)					
E, H, J, L, M Q, U, W, R	1100	1040	860	750	680
G, T, H, F, P	900	900	800	650	450
V	1100	1000	680	500	450
hydraulic centering (min. control pressure 8.5bar)					
symbol	1100	1040	860	750	680

with pre-load valve, $X_{internal}$

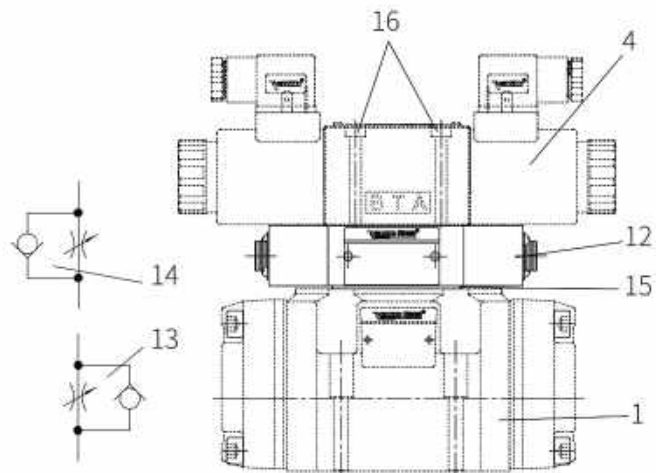
flow of spool
F, G, H, P and T up to 180 L/min

Characteristic curves

shifting time adjustment

In order to influence the shifting time of the main valve(1) a double throttle check valve(12) has to be fitted between pilot valve and main valve.

Change over from meter-in(13) to meter-out control(14): remove the pilot valve(4)(leave the O ring support plate(15) in place), rotate the throttle check valve around its longitudinal axis and then install pilot valve(4).

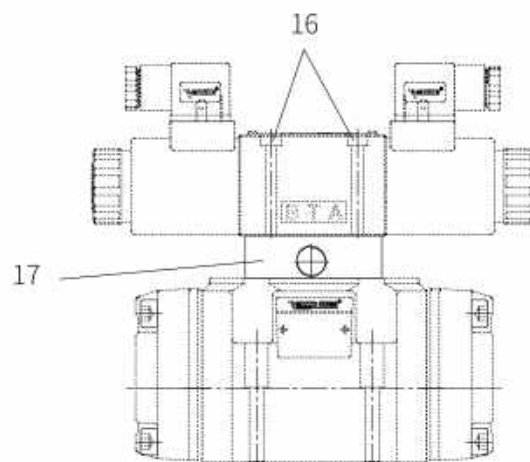


type 4WEH /S or S2

pressure reducing valve "D3"

The pressure reducing valve(17) must be used if the pilot pressure is higher than 25 MPa. Thus, the secondary pressure is held constant at 4.5 MPa.

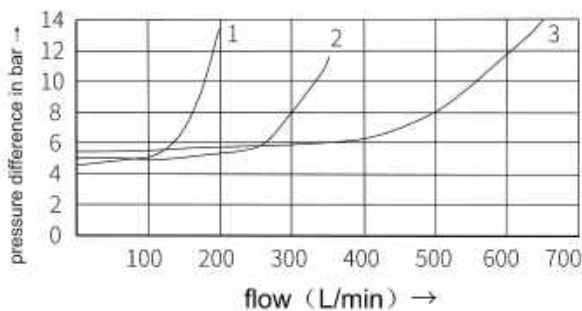
When using a pressure reducing valve "D3", a throttle insert "B10" must be installed in the P channel of the pilot valve.



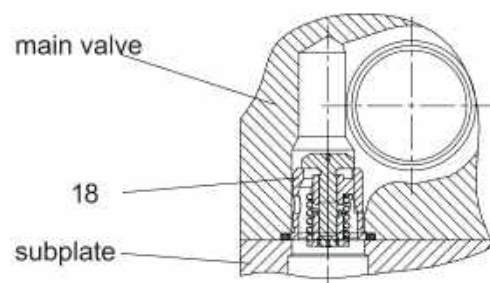
type 4WEH.../.../D3

pre-load valve(not for size 10)

In valves with pressureless by-pass and internal pilot oil supply, a pre-load valve(18) must be installed in the P channel of the main valve to build up the minimum pilot pressure.



- 1 size 16
- 2 size 25
- 3 size 32



type

4WEH16...-5X/.../P4.5

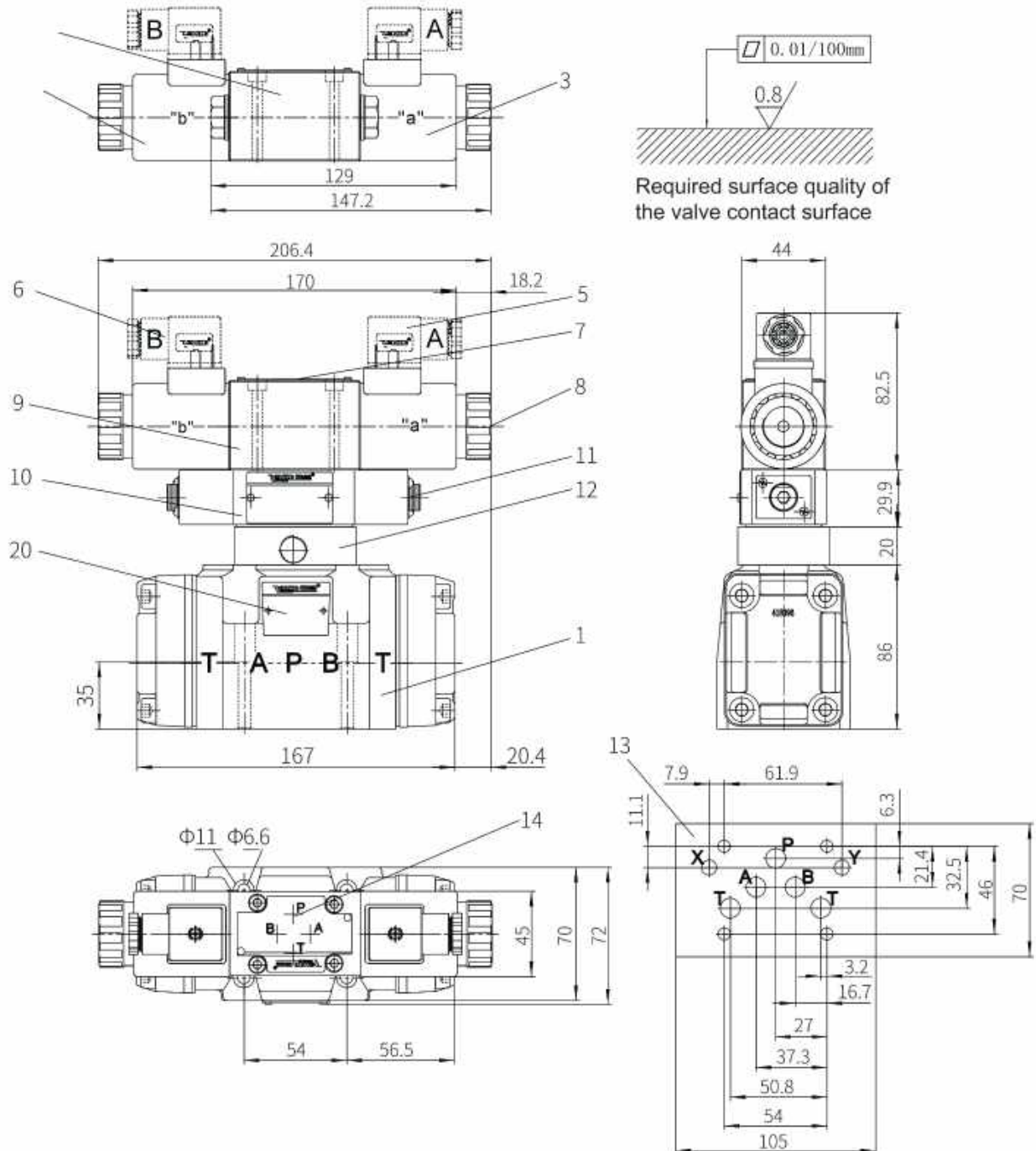
4WEH25.../.../P4.5

4WEH32.../.../P4.5

Unit dimensions

Dimensions in mm

type WEH10...4XJ/...



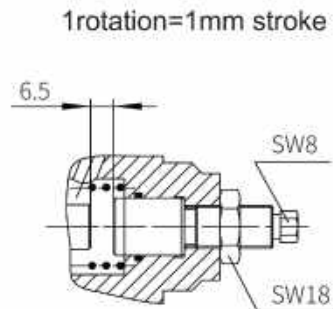
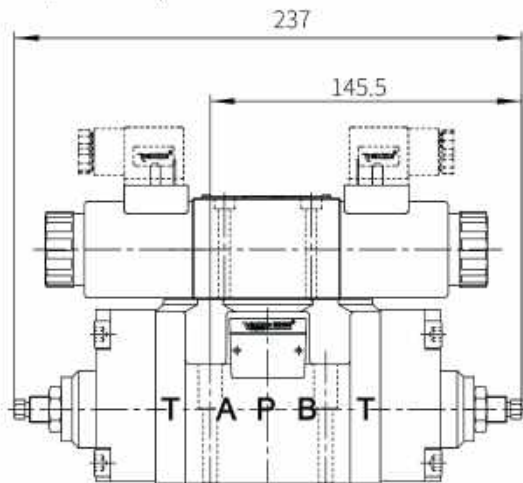
- | | |
|--|---|
| 1 main valve | 9 2-position valve with two solenoids and plug Z4 |
| 2 2-position valve with one solenoid and plug Z4 | 3-position valve with two solenoids and plug Z4 |
| 3 Solenoid a | 10 switching time regulator |
| 4 Solenoid b | 11 adjustable bolt |
| 5 plug-in connector colour grey | 12 reducing valve |
| 6 plug-in connector colour black | 13 arrangement of main valve's oil outlets (attachment face of valve) |
| 7 name plate for pilot valve | 14 position of leading oil outlet |
| 8 manual override | 15 name plate |

Unit dimensions

Dimensions in mm

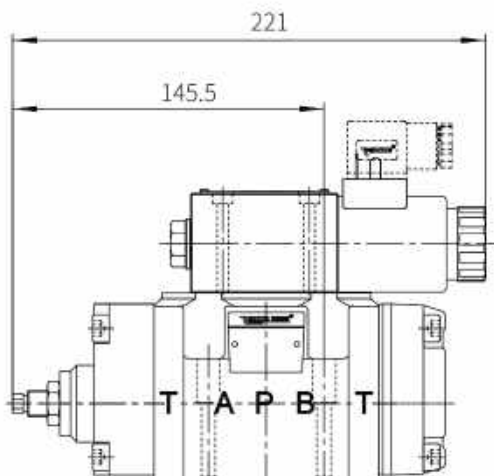
Dimension of additional devices of valve type WEH10

Range of stroke adjustment is 6.5mm to adjust main spool stroke. Loosen the lock-up nut and rotate the rod clockwise, thus, shorten the stroke of the main spool. (adjust can only be made under the condition that the controlling chamber has no pressure)

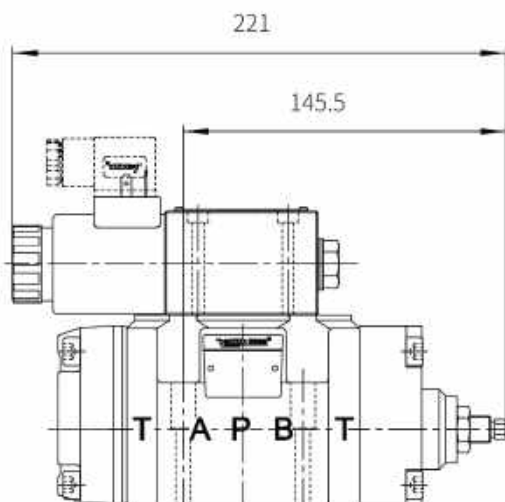


1 rotation=1mm stroke

stroke adjustment fixed on end A and B of main valve	10
stroke adjustment fixed on end A of main valve	11
stroke adjustment fixed on end B of main valve	12



stroke adjustment fixed on end A of main valve	11
--	----

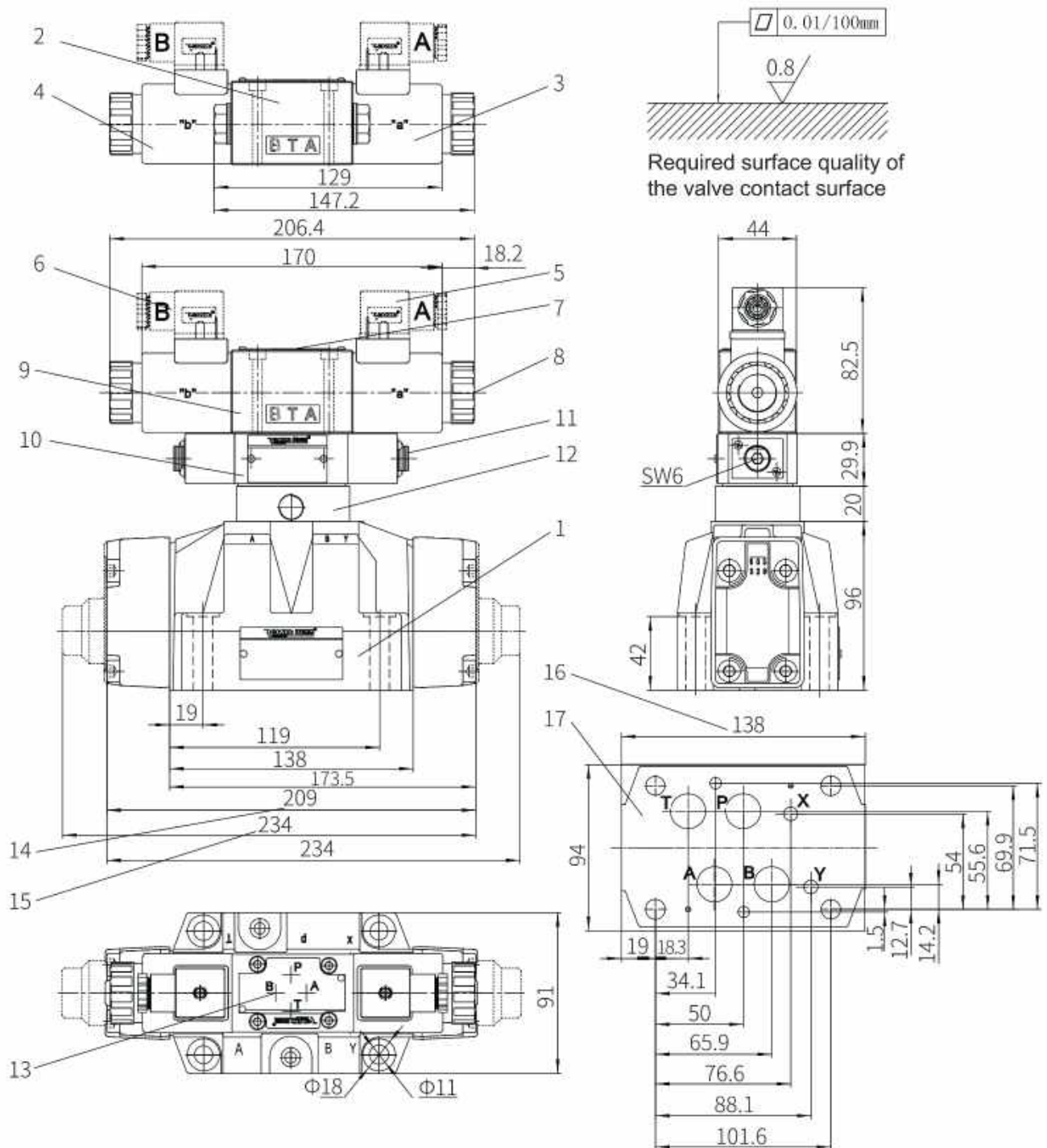


stroke adjustment fixed on end B of main valve	12
--	----

Unit dimensions

Dimensions in mm

type WEH16...5XJ/...



1 main valve

2 2-position valve with one solenoid and plug Z4

3 Solenoid a

4 Solenoid b

5 plug-in connector colour grey

6 plug-in connector colour black

7 name plate for pilot valve

8 manual override

9 2-position valve with two solenoids and plug Z4

3-position valve with two solenoids and plug Z4

10 switching time regulator

11 adjustable bolt

12 reducing valve

13 arrangement of main valve's oil outlets (attachment face of valve)

14 size of spring centered 3-position valve

15 size of spring return 2-position valve

16 minimum size of process-required connection face of main valve

17 connection diagram of main valve

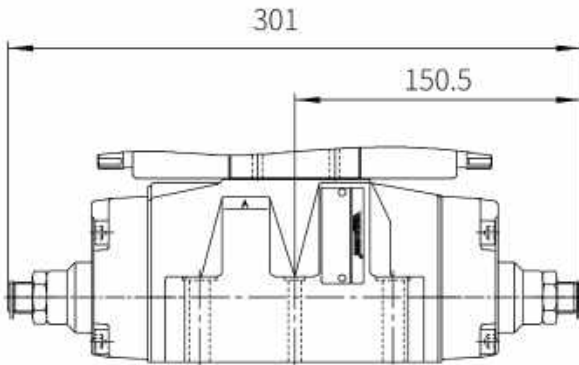
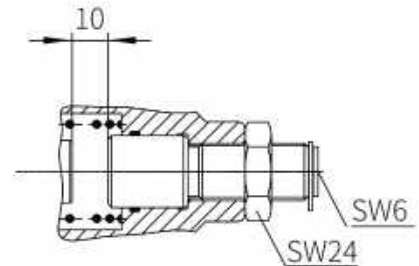
Unit dimensions

Dimensions in mm

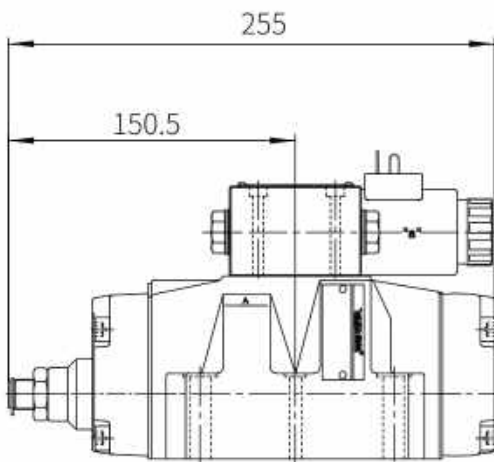
Dimension of additional devices of valve type WEH16

Range of stroke adjustment is 10mm to adjust main spool stroke. Loosen the lock-up nut and rotate the rod clockwise, thus, shorten the stroke of the main spool. (adjust can only be made under the condition that the controlling chamber has no pressure)

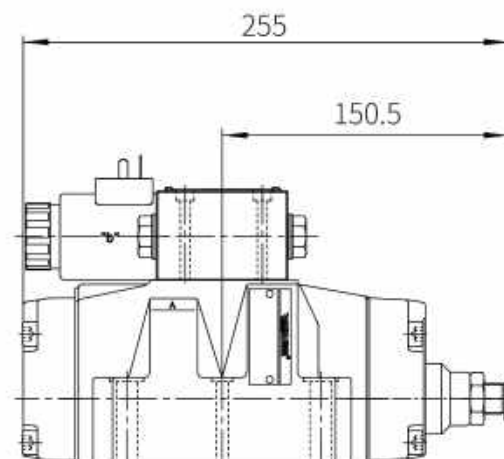
1 rotation = 1.5mm stroke



stroke adjustment fixed on end A and B of main valve	10
stroke adjustment fixed on end A of main valve	11
stroke adjustment fixed on end B of main valve	12



stroke adjustment fixed on end A of main valve	11
--	----

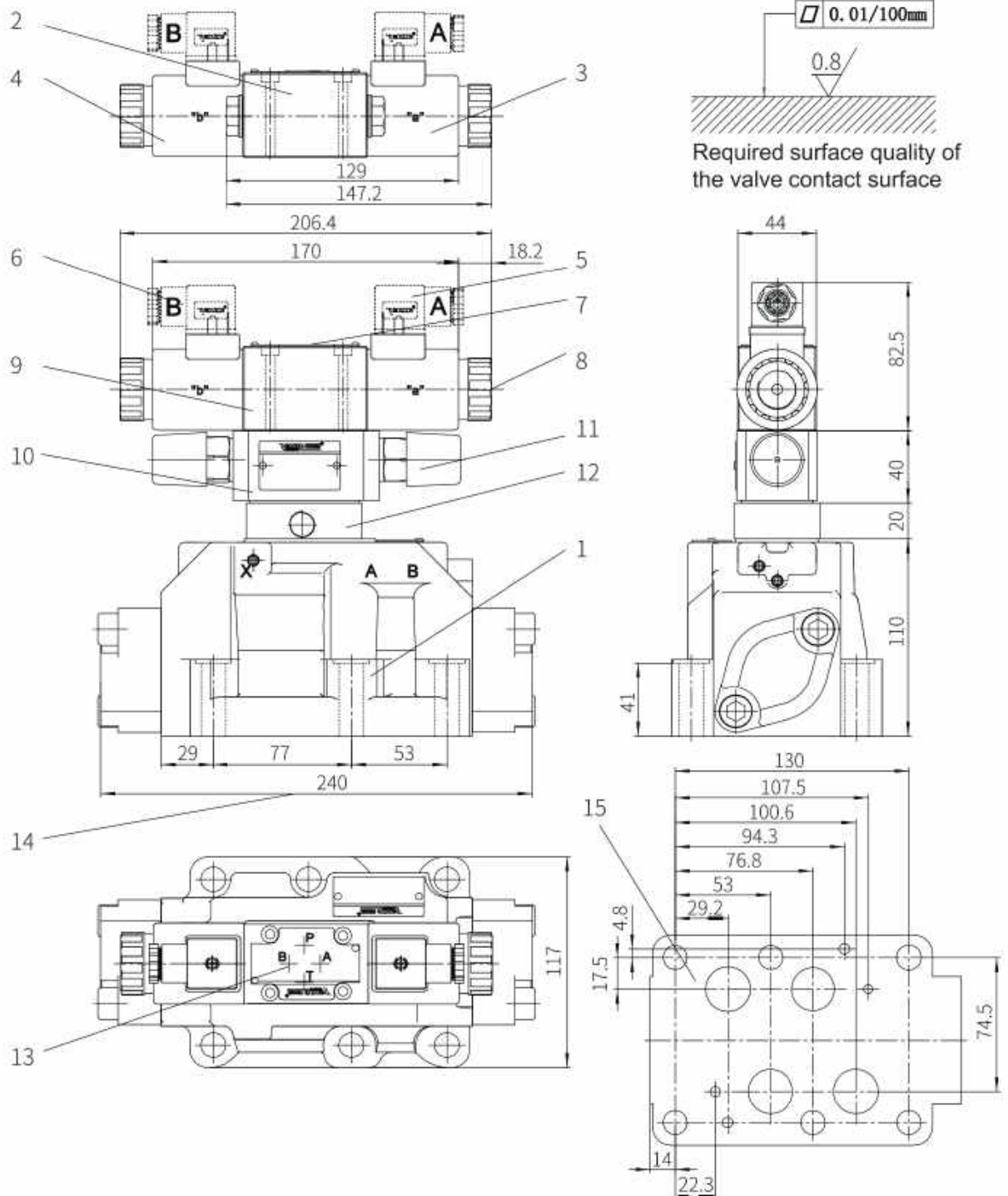


stroke adjustment fixed on end B of main valve	12
--	----

Unit dimensions

Dimensions in mm

type WEH22...7XJ/...

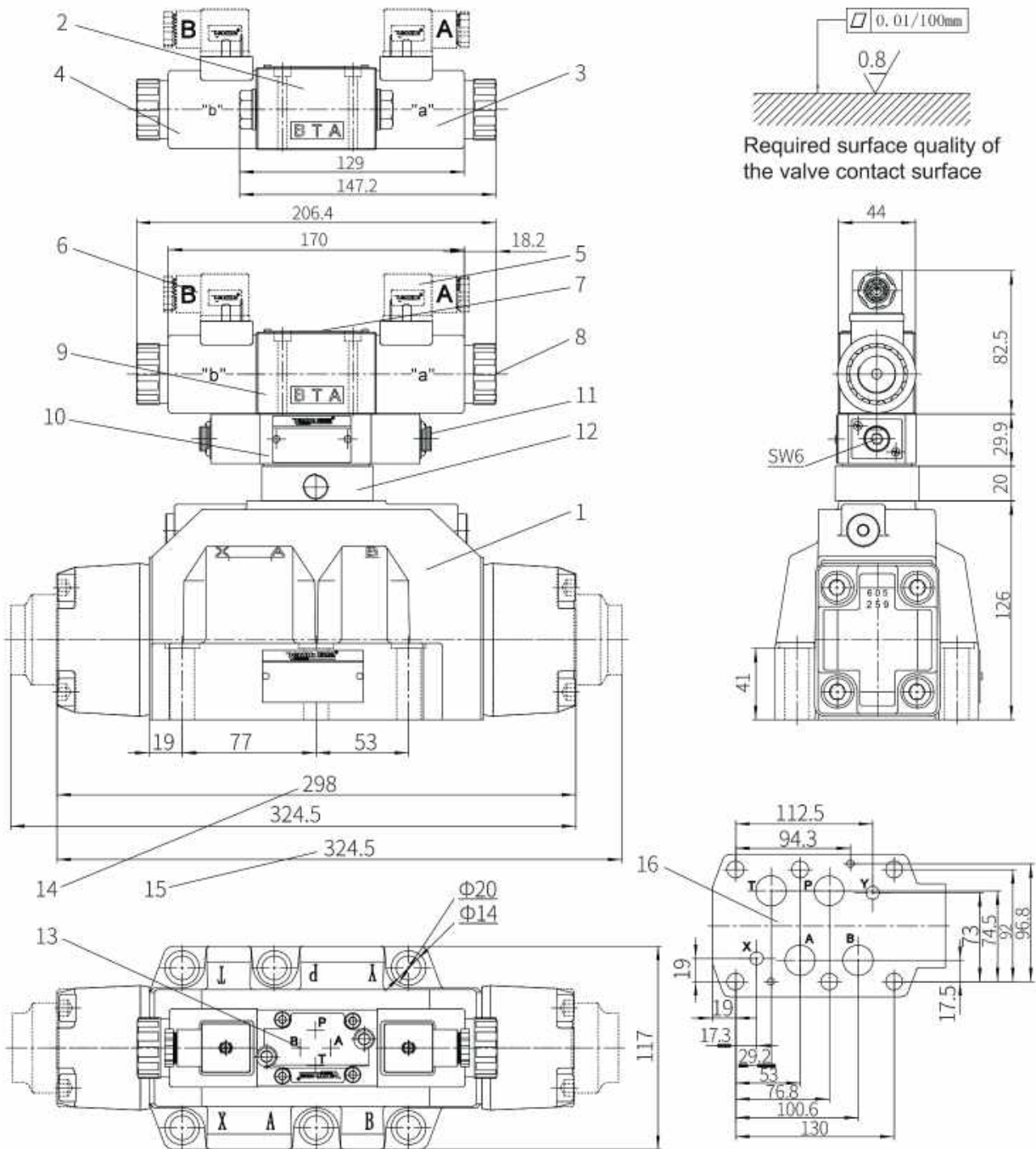


- 1 main valve
- 2 2-position valve with one solenoid and plug Z4
- 3 Solenoid a
- 4 Solenoid b
- 5 plug-in connector colour grey
- 6 plug-in connector colour black
- 7 name plate for pilot valve
- 8 manual override
- 9 2-position valve with two solenoids and plug Z4
- 10 switching time regulator
- 11 adjustable bolt
- 12 reducing valve
- 13 arrangement of main valve's oil outlets (attachment face of valve)
- 14 size of spring centered 3-position valve
- 15 connection diagram of main valve

Unit dimensions

Dimensions in mm

type WEH25...5XJ/...



1 main valve

2 2-position valve with one solenoid and plug Z4

3 Solenoid a

4 Solenoid b

5 plug-in connector colour grey

6 plug-in connector colour black

7 name plate for pilot valve

8 manual override

9 2-position valve with two solenoids and plug Z4

3-position valve with two solenoids and plug Z4

10 switching time regulator

11 adjustable bolt

12 reducing valve

13 arrangement of main valve's oil outlets (attachment face of valve)

14 size of spring centered 3-position valve

15 size of spring return 2-position valve

16 connection diagram of main valve

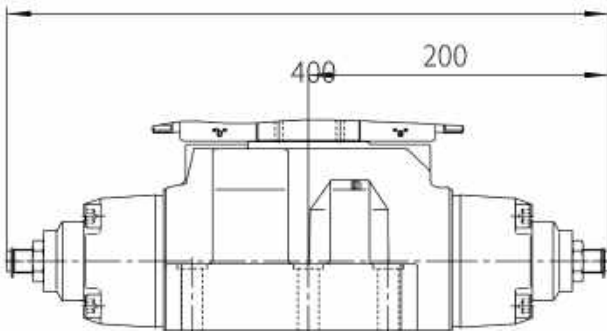
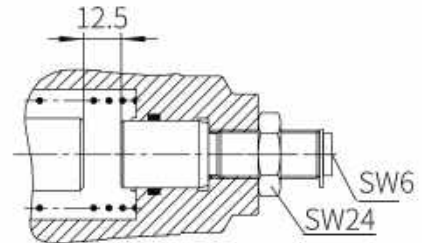
Unit dimensions

Dimensions in mm

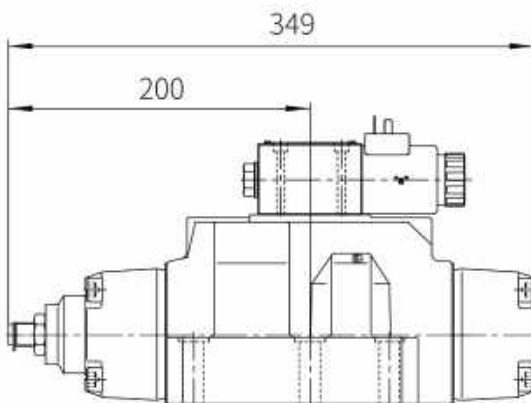
Dimension of additional devices of valve type WEH25

Range of stroke adjustment is 12.5mm to adjust main spool stroke. Loosen the lock-up nut and rotate the rod clockwise, thus, shorten the stroke of the main spool. (adjust can only be made under the condition that the controlling chamber has no pressure)

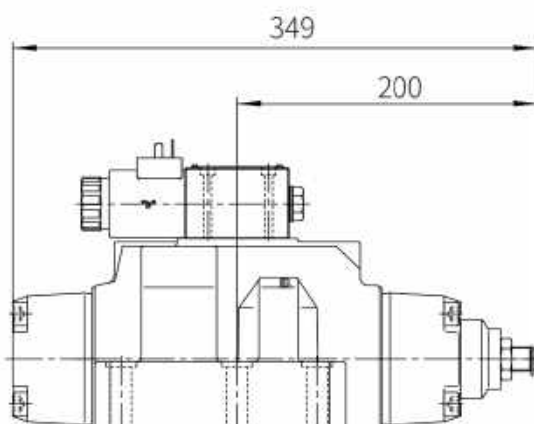
1 rotation = 1.5mm stroke



stroke adjustment fixed on end	
A and B of main valve	10
stroke adjustment fixed on end	
A of main valve	11
stroke adjustment fixed on end	
B of main valve	12



stroke adjustment fixed on end	
A of main valve	11

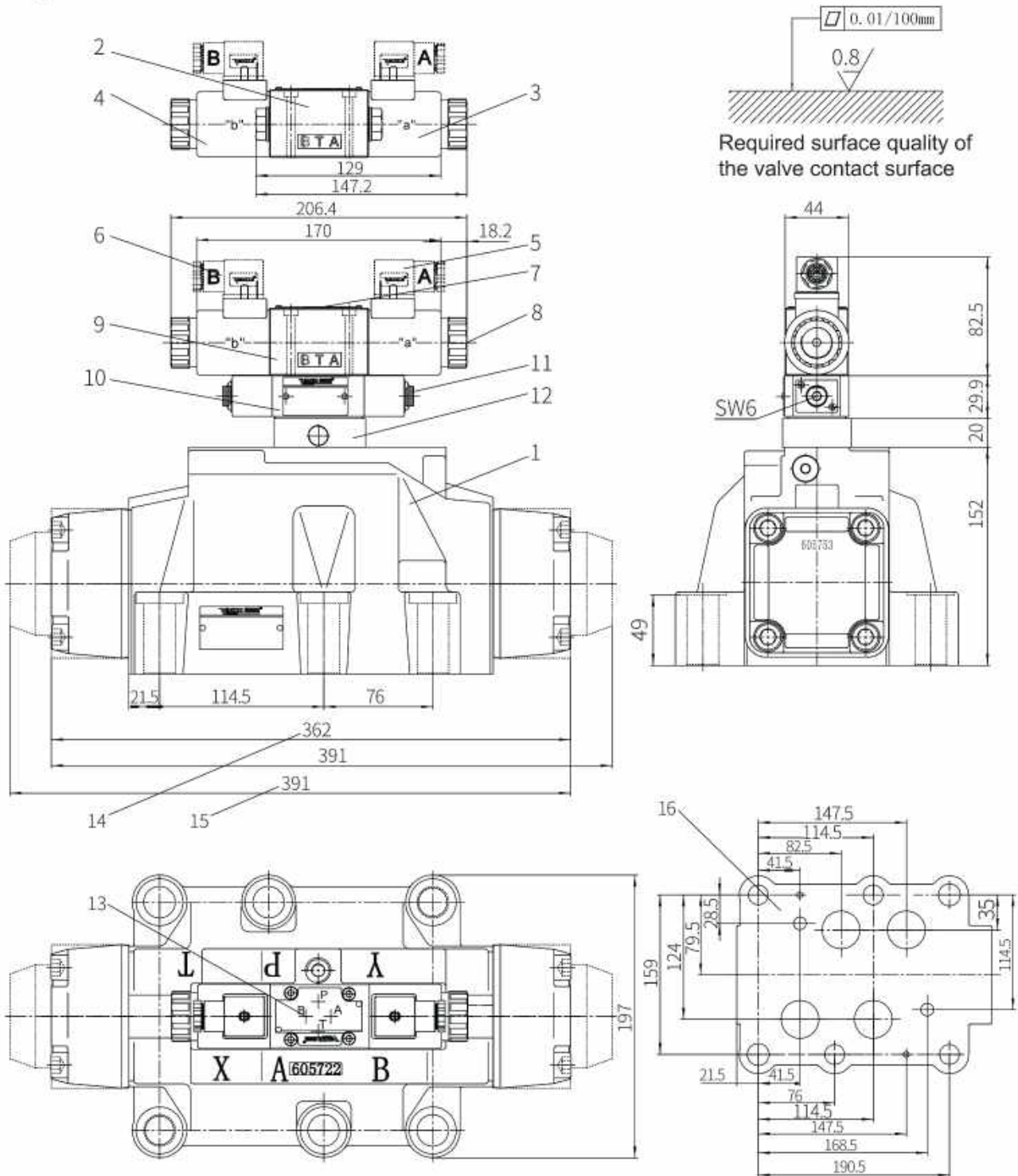


stroke adjustment fixed on end	
B of main valve	12

Unit dimensions

Dimensions in mm

type WEH32...5XJ/...



1 main valve

2 2-position valve with one solenoid and plug Z4

3 Solenoid a

4 Solenoid b

5 plug-in connector colour grey

6 plug-in connector colour black

7 name plate for pilot valve

8 manual override

9 2-position valve with two solenoids and plug Z4

3-position valve with two solenoids and plug Z4

10 switching time regulator

11 adjustable bolt

12 reducing valve

13 arrangement of main valve's oil outlets (attachment face of valve)

14 size of spring centered 3-position valve

15 size of spring return 2-position valve

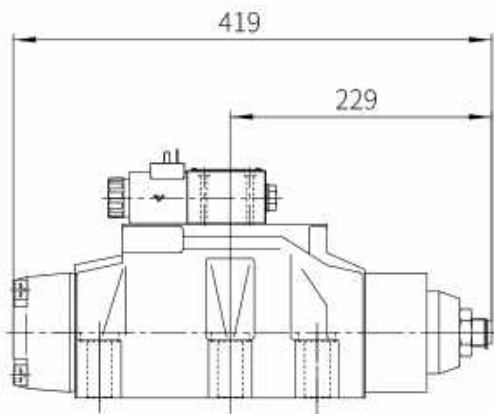
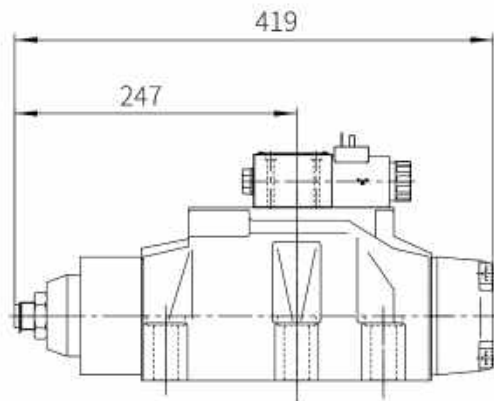
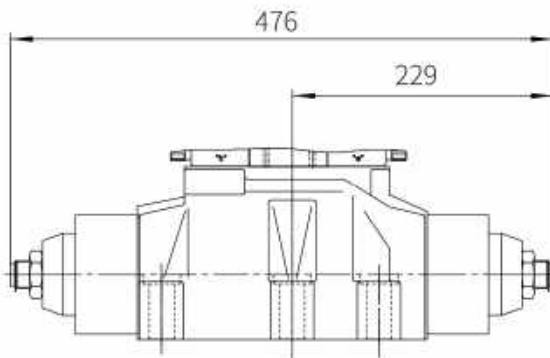
16 connection diagram of main valve

Unit dimensions

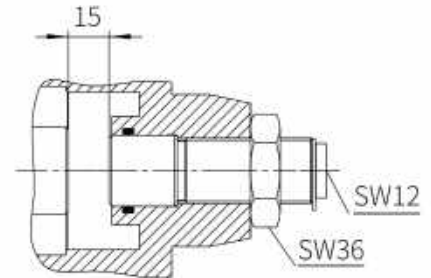
Dimensions in mm

Dimension of additional devices of valve type WEH32

Range of stroke adjustment is 15mm to adjust main spool stroke. Loosen the lock-up nut and rotate the rod clockwise, thus, shorten the stroke of the main spool. (adjust can only be made under the condition that the controlling chamber has no pressure)



1 rotation = 1.5 mm stroke



stroke adjustment fixed on end A and B of main valve	10
stroke adjustment fixed on end A of main valve	11
stroke adjustment fixed on end B of main valve	12

stroke adjustment fixed on end A of main valve	11
--	----

stroke adjustment fixed on end B of main valve	12
--	----